

ITL INTERCONTINENTAL TECHNOLOGIES, LTD.

558-2 Plate Dr. East Dundee, IL 60118 Phone:847-426-9597 Fax: 847-426-9724



F24-8D

8 button two-step system that comes with 2 transmitters and 1 receiver with a control voltage of 110/220 V AC or 12/24 V AC / DC.

Also Available

- [F24-6S](#)
- [F24-6D](#)
- [F24-8S](#)
- [F24-10S](#)
- [F24-10D](#)
- [F24-J](#)

Legend

1. S = single step
2. D = dual step
3. 2TX = 2 transmitters
4. DC = 12-24 V AC/DC

General Specifications

Typical application: Overhead cranes with A, B, and A+B.

Operating Distance: 500+ feet

Frequency: 310 Mhz band

Frequency generation: Crystal (plug in)

Security coding:

Environmental rating: IP 65

Licensing: FCC certified, no license needed. FCC identifier LWN9312F24

Warranty : 1 year, see manual

Temperature rating: -35 deg C to 75 deg C (-31 deg F to 167 deg F)

Receiver Specifications

Size: W 3.37" x D 7.10" x L 7.37"

Part #: F24-8D-RX

Power Supply input: 110/220 V AC

Other input voltages: 12 -24 V AC / DC

Relay ratings: 10 amp/250 V AC

Weight: 7 lbs.

Includes: Pre-cabled.

Accessories available:

- Horn & Lamp Kit (Part# 24T9001)
- External Antenna Kit

Transmitter Specifications

Part #: F24-8D-TX

Transmitters: 2 supplied standard

Size: W 2" x D 2" x L 6.2"

Weight: 9 ounces

Material: Shock resistant, fiber reinforced nylon

Power source: 2 AA alkaline batteries

Battery power indication: LED

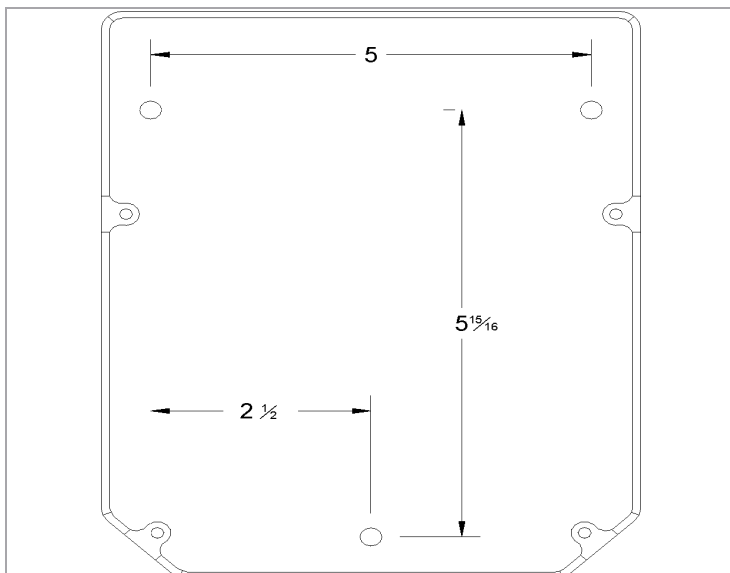
Buttons: 8 programmable, two-step plus start and stop. Rated to 2 million cycles.

Start key: Removable

Stop Button: Mushroom style

Includes: lanyard and 2 AA batteries

Receiver Mounting



Receiver Schematic

F24-8D

