

ITL INTERCONTINENTAL TECHNOLOGIES, LTD.

558-2 Plate Dr. East Dundee, IL 60118 Phone:847-426-9597 Fax: 847-426-9724

**F24-6S**

6 button single step system that comes with 2 transmitters and 1 receiver with a control voltage of 110/220 V AC or 12/24 V AC / DC.

Also Available

- [F21-6S](#)
- [F21-6S-2TX](#)
- [F21-6S-DC](#)
- [F21-6S-DC-2TX](#)
- [F24-6D](#)
- [F24-8S](#)
- [F24-8D](#)
- [F24-10S](#)
- [F24-10D](#)

Legend

1. S = single step
2. D = dual step
3. 2TX = 2 transmitters
4. DC = 12-24 V AC/DC

General Specifications

Typical application: Overhead cranes, dual hoist monorails, etc...

Operating Distance: 500+ feet

Frequency: 310 Mhz band

Frequency generation: Crystal (plug in)

Security coding:

Environmental rating: IP 65

Licensing: FCC certified, no license needed. FCC identifier LWN9312F24

Warranty : 1 year, see manual

Temperature rating: -35 deg C to 75 deg C (-31 deg F to 167 deg F)

Receiver Specifications

Size: W 6.5" x D 4.5" x L 10.0"

Part #: F24-6S-RX

Power Supply input: 110/220 V AC

Other input voltages: 12 -24 V AC / DC

Relay ratings: 10 amp/250 V AC

Weight: 7 lbs

Includes: Pre-cabled.

Accessories available:

- Horn & Lamp Kit (Part# 24T9001)

- External Antenna Kit

Transmitter Specifications

Part #: F24-6S-TX

Transmitters: 2 supplied standard

Size: W 2.0" x D 2.0" x L 7.25"

Weight: 11 ounces

Material: Shock resistant, fiber reinforced nylon

Power source: 2 AA alkaline batteries

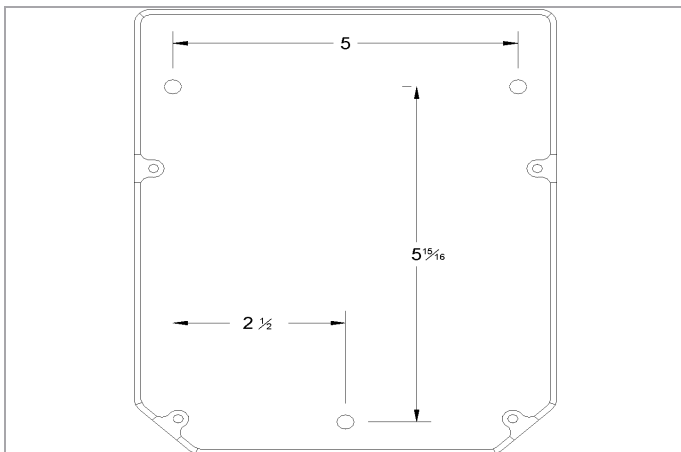
Battery power indication: LED

Buttons: 6 programmable, one-step plus start and stop. Rated to 2 million cycles.

Start key: Removable

Stop Button: Mushroom style

Includes: lanyard and 2 AA batteries

Receiver Mounting**Receiver Schematic****F21-6S**

(BLACK) POWER 1
110VAC Standard
(BROWN) POWER 2



(ORANGE) COM
(RED) MAIN
(YELLOW) UP
(GREEN) DOWN
(BLUE) EAST
(PURPLE) WEST
(GREY) SOUTH
(WHITE) NORTH
(PINK) RO

